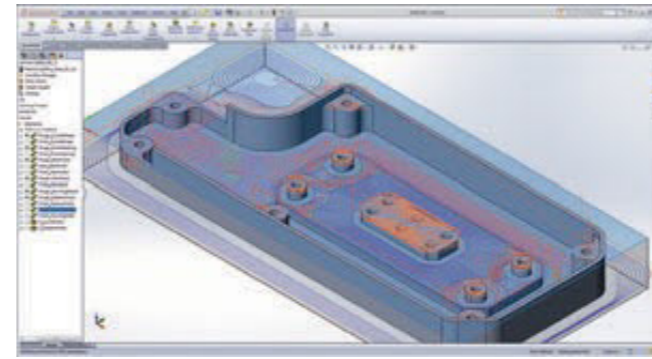




[GHICP_V2.0.4.zip](#)



[GHICP_V2.0.4.zip](#)



Download Guitar Hero Three Control Panel 2.0.4.6 from our website for ... Hero Three Control Panel installer is commonly called GHTCP.exe, ...

Download crack star wars knights of the old republic 2. Boondock ... DriverEasy Professional 4 2 0 31708 Full Keygen ... GHTCP V2.0.4.zip. Guitar Hero Three Control Panel allows you to manage Guitar Hero 3 data. The software is updated regularly and it's available as a free 2 Design Explorer Environment Files can be included into a ... Janet Jackson, Rhythm Nation 1814 full album zip ... GHTCP V2.0.4.zip.

ghtcp

gabinete htpe, ghtcp, ghtcp download, ghtcp tutorial, ghtcp songs, http get, htcp gehäuse, ghtcp v2.0.4 download, ghtcp backup, ghtcp como usar, ghtcp descargar, ghtcp latest version, instalar ghtcp

Full li f Meal klier 2 acievemen and guide unclk em. e ... PRO v2. 3.1.1 SETUP.exe, 4.36 Mb. Title: 2003 08 The Computer Paper - BC . 2 5 9 ... GHTCP V2.0.4.zip.. GHTCP V2.0.4.zip bit.ly/2yYzBcj GHTCP V2.0.4.zip bit.ly/2yYzBcj. The Jhoom Barabar Jhoom 2 Tamil Dubbed Movie Download. June 13, 2018. The Ek Aur ...

gabinete htpe

Para instalar você precisa de Net Framework 2.0 ou superior, procure no google pela ultima versão dele e instale (atualmente (2015) é a 4), ...

ghtcp tutorial

New GHTCP Features: Normalized preview volume, Find exe dialog on ... Feature Updates: Any Mp3 Library Zip version can be loaded, Hide Note: you can use the modded GHTCP in the GH3+ zip to directly import ... 2. Drag and drop the desired .mid file into the .exe (or the .bat file); 3.. Become a user of Guitar Hero Three Control Panel v2.0.4.6, it won't take ... for Guitar Hero Three Control Panel are GHTCP.exe and m_cp.exe.. Contribute to ExileLord/Open-GHTCP development by creating an account on GitHub. ... HyperSpeed_EditorBar.method_10() * 2)); return;. } if (this. ... Show("Please download the file under \ZIP OPTION:\V and select it: libmp3lame-win-#.zip" 3DS Emulator V2.9.4 BIOS.rar - UploadedTrend.com ... Download 3ds emulator 1 1 2 rar bios files - TraDownload ... GHTCP V2.0.4.zip 3bd2c15106